

The image is a full-page advertisement for TRECA PARIS. It features a vibrant, patterned chair with a white base and colorful floral and geometric motifs in blue, green, yellow, and purple. In the foreground, a white, tufted mattress is shown, with a small label on the side that reads "TRECA PARIS". The background consists of a large, arched window with intricate stained glass designs in shades of green, gold, and white. The overall aesthetic is one of luxury and traditional craftsmanship.

TRECA

PARIS

L'ART DE LA CHAMBRE



With Tréca Paris, you enter a universe where everything becomes possible, a universe where all your dreams come true.

We nurture our savoir-faire for generations to offer you the best sleep. Our sleep systems are not only high-quality mattresses, but also design objects for your bedroom.

« Tréca, le savoir-dormir à la française »

TABLE OF CONTENT

HISTORY	3
SAVOIR-FAIRE	4
COLLABORATIONS	6
THE 12 SLEEPING SYSTEMS	10
HEADBOARDS	24
FABRIC AND LEATHER BUNDLE	36
TRECA SERVICES	42



OUR HISTORY

- 1935 — Birth of Tréca in Reichshoffen, the only brand to sell spring mattresses in France. The Tréfilerie Câblerie is created by M. Moritz in Reichshoffen to manufacture high quality steel (H.L.E.).
- 1939 — In the midst of the Second World War, Tréca manufactures mattresses for the French Army Medical Corps.
- 1960 — Creation of Tréca Paris. Tréca is the leading exporter in its profession.
- 1980 — Creation of the first mattress topper, introducing a new standard in the industry.
- 1982 — Launch of the current Imperial "Air Spring®" Prestige.
- 2011 — First collaboration with a designer: Chantal Thomass haute couture collection.
- 2015 — Anniversary of Tréca celebrated with the creation of the Orient Express Loro Piana exclusive Millesime bed for Le Bon Marché.
- 2018 — «Les Plafonds vus par Tréca» Campaign at the Grand Palais.
- 2019 — Collaboration with Christian Lacroix.
- 2020 — Collaboration with Sarah Lavoine.
- 2021 — Collaboration with Charles Tassin.
- 2022 — Demonstration of the excellence of Tréca know-how – launch of the Auguste bed. Alsace bedding, Tréca manufacture in Reichshoffen, France, awarded as Entreprise du Patrimoine Vivant (Living Heritage Company).
- 2023 — Collaboration with Constance Guisset.

UNIQUE NESTLING COMFORT

At Tréca, everything is meticulously thoughtout and designed. We favour the selection of noble, natural and environmentally-friendly materials, but above all of the highest quality, such as Silk, French Linen, Merino d'Arles wool, Royal Alpaca, or French Wool... We source our products from the places where they are crafted with the most excellence. Natural fibres that last over time and are, resilient, smooth, silky... these are the intrinsic quality values to make our beds exceptional.

We value our French know-how and heritage, and we favour the selection of natural, recycled and recyclable resources as close as possible to our manufacturing facilities. Thanks to this alchemy, we offer healthy sleep and sustainable comfort for the body and the environment.

BESPOKE PERSONALIZATION

We offer tailor-made comfort, from the softest to the firmest, with the possibility of combining two comforts in a single mattress, offering tailor-made support to suit everyone's preferences and needs.

Our Tréca beds are available in a wide variety of sizes, offering many options, such as rounded corners, a softened shoulder zone, relaxation and much more. They can be tailored to your specific needs, whether its dimensions or decorations, reflecting our commitment to providing a truly bespoke service.

CRAFTSMANSHIP SAVOIR-FAIRE



Every detail counts to achieve perfection. Exclusively handmade in France, meticulously sewn, upholstered and padded, the tailoring of a mattress requires the mastery of many skills but above all it requires time. Time is precious to make each mattress a masterpiece of French craftsmanship. Perfect in every way, every aspect.

Our workshop in Reichshoffen, Alsace Bedding's holding, was awarded the label Entreprise du Patrimoine Vivant (Living Heritage Company). The label «Entreprise du Patrimoine Vivant» (EPV) is a mark of government recognition set up to distinguish French companies that apply the highest levels of industrial and artisanal know-how.

FRENCH DESIGN EXCELLENCE

At Tréca, we stand out for our "hand-sewn" quality and aesthetics, reflecting our commitment to excellence. Each piece is characterized by refined finishes. Handmade embroidery adds a touch of sophistication, while the choice of coutil is carefully considered to combine softness and beauty.

We believe that every person's sleep experience is unique and deserves the utmost attention. Nothing is left to chance at Tréca. We ensure excellence in every detail, from the precious fabrics we use to the smallest handstitched detail, we offer a bespoke approach to provide you with a unique french-style bed and a restful sleep.



WHEN THE ART OF THE FRENCH BEDROOM JOINS THE ART OF FABRICS

From the selection of the finest fabrics and materials to the hand-sewn finishing touches by our French upholsterers and seamstresses, Tréca experts listen to your needs and offer you a personalised approach for a customised bed, to better suit your own self.

To go even further in personalizing your bedroom, Tréca offers a wide range of fabrics such as velvet, linen or leather to cover the bed bases and headboards. In addition to our Tréca fabric range, you can also decide on your own fabric, allowing you to create an even more unique and distinctive ambiance.



TRÉCA X PIERRE FREY

Tréca and Maison Pierre Frey, both champions of tradition, craftsmanship, excellence, and French design, have united to offer tailored fabrics for Tréca beds.

Founded in 1935, Maison Pierre Frey is a French textile and design firm, specialising in the creation, production, and manufacturing of fabrics. With a commitment to superior craftsmanship and exceptional workmanship, Maison Pierre Frey has become a symbol of quality and style.

Experience the unparalleled luxury and artistry of the Tréca and Maison Pierre Frey partnership, where French design and exquisite fabrics unite to create a truly exceptional sleep experience.

THE LEATHER WORK

At Tréca Paris, our expertise in crafting bespoke beds is distinguished by the meticulous handling of high-quality leather, a fundamental element in our artisanal process. We understand the distinctive qualities and beauty of each leather type, ensuring that only the finest leathers are selected. The meticulous process of crafting tailor-made beds involves our dedicated team of skilled workers, including adept seamstresses and expert upholsterers, who collaborate seamlessly to transform these exceptional leathers into personalized masterpieces.

At Tréca, the journey towards a tailor-made bed not only reflects a commitment to meeting individual needs but also showcases our expertise in working with high-quality leather, ensuring that every element of your bed exudes luxury and sophistication.



OUR CREATIVE COLLABORATIONS

Creativity marks the beginning of beautiful stories. As we want your bedroom to be and feel unique, we collaborate every year with major designers and fabric editors to offer you oneiric products.

To brighten your bedroom, Tréca offers beds designed by renowned designer such as Charles Tassin, Constance Guisset, Maison Sarah Lavoine, Annette Lang, Andréas Weber, Mr Christian Lacroix, Quaglio Simonelli,...

Tréca beds are combined with fabrics from leading editors such as Pierre Frey, Schumacher, Brunschwig & Fils, Loro Piana, Lelièvre, Dedar, Jim Thompson, Rubelli,...

True decorative objects, our beds and furnishings can be customized to suit every trend and every desire.



ANNETTE LANG



CHARLES TASSIN



QUAGLIO SIMONELLI



MATHILDE BRETILLOT



MR CHRISTIAN LACROIX



ANDRÉAS WEBER



CONSTANCE GUISET



HOFFMANN KAHLEYSS

TRÉCA IN FRENCH PALACES

Sleeping under the Sun King's gilded ceiling requires excellence, artisan craftsmanship and high quality. An exceptional mattress for a unique project. It is only natural that Airelles chose Tréca, the brand that has been perfecting French sleep since 1935, to furnish the suites at Le Grand Contrôle, within the grounds of the iconic Château de Versailles.

Tréca Paris has equipped French palaces such as Relais Bernard Loiseau, Maison des Têtes Colmar, Villa Foch, Les Coquillades, Villa Gallicci, Château des Alpilles, Aman Le Mélézin and even the Royal Evian Palace.



TRÉCA AND HÔTEL DU CAP-EDEN-ROC

Every iconic place needs exceptional partners! That's why Hôtel du Cap-Eden-Roc chose Tréca Paris.

This collaboration has enabled the reuse of 200 kg of the hotel's linen by using it inside the mattress, an unprecedented upcycling approach. This partnership brings together two emblematic maisons, both committed to the art of living, with shared values of luxury and circularity, favoring high-quality materials for products that stand the test of time. Together, they embody a shared vision of elegance and environmental responsibility, offering their customers the ultimate in comfort and sustainable luxury.

TRÉCA IN THE FINEST YACHTS

Tréca can help you realize unique projects, such as the design of custom beds for yachts. Made from the finest materials and designed to optimize space, our beds combine elegance and comfort, bringing Tréca quality to the high seas. Our experts adapt to your requirements, whatever the shape and size of your cabin.

Every night on board becomes an unparalleled experience, where every detail is carefully thought out to exceed your highest expectations.



T



THE SLEEP TABLE: A UNIQUE CHOICE MATRIX DEVELOPED BY TRECA PARIS

To choose the ideal Tréca bed, it is important to determine the firmness better suited to the user. The choice of the tension depends on weight and size. This is why Tréca Paris has developed this unique Sleep Table.

It will however never replace actual bed testing for you to get the fantastic Experience the best that Tréca has to offer

The Sleep Table was designed for the combination of a mattress and spring bed base.

Adding a Tréca mattress topper will increase the quality of reception and the flexibility of the whole sleeping system.

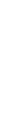
Size	Weight						
	less than 110 lbs	112 - 132 lbs	134 - 154 lbs	156 - 176 lbs	178 - 198 lbs	200 - 220 lbs	220 - 286 lbs
Less than 4'1	☺	☺☺	☺☺	☺☺☺	☺☺☺	☺☺☺	☺☺☺
4'1 - 5'3	☺	☺☺	☺☺	☺☺	☺☺☺	☺☺☺	☺☺☺
5'3 - 5'7	☺	☺	☺☺	☺☺	☺☺	☺☺☺	☺☺☺
5'7 - 5'1	☺	☺	☺	☺☺	☺☺	☺☺	☺☺☺
5'1 - 6,3'		☺	☺	☺	☺☺	☺☺	☺☺☺
6'3 - 6'7		☺	☺	☺	☺☺	☺☺	☺☺☺
Over 6'7				☺	☺	☺☺	☺☺☺

☺ medium

☺☺ firm

☺☺☺ extra-firm

T



OUR UNIQUE PROPOSITION

Create your own bed by choosing:

1

Sleeping system

(mattress topper, mattress and bed base)



2

Headboard



3

Tréca's or your own fabric or leather



T

THE SLEEPING SYSTEM *Auguste*

Experience Tréca's ultimate masterpiece where ultra-noble natural materials meet exceptional craftsmanship.

For the first time in bed making history, Tréca Paris created the dream bed in which the bed base, support mattress, comfort mattress and topper are manufactured and presented as a single unit, guaranteeing made-to-measure comfort.

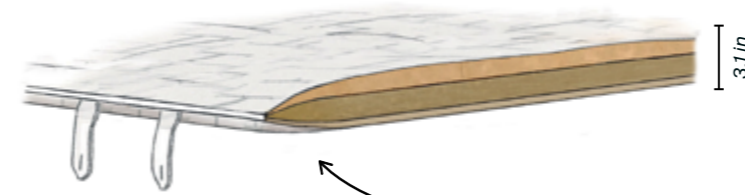
More than 100 steps are necessary to produce the Auguste bed. Over 25kg of the finest materials are used to fill the mattress. These are: Royal Alpaca and Merino d'Arles wool to ensure warmth and softness; while the silk and the wool ensure optimal temperature regulation. Each mattress is entirely tufted by hand, guaranteeing gentle support and avoiding any material shifting.



More than 100 steps in total are required to create the Auguste bed.

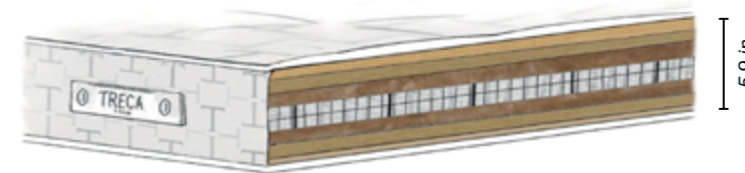
39 of our best craftsmen are involved :

- 17 for the support and comfort mattress, including 3 master upholsterers with 20 years of experience
- 5 for the mattress topper
- 2 for the facing
- 6 for the headboard
- 7 for the bed base
- 2 seamstresses, with over 20 years of experience



MATTRESS TOPPER

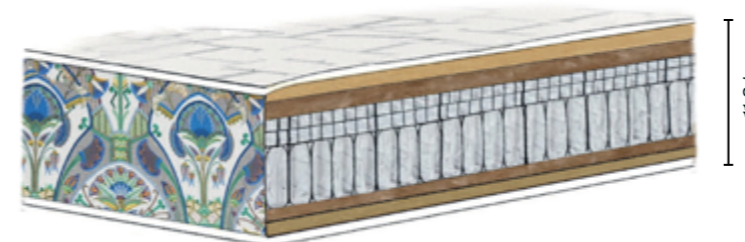
*Materials: Merino d'Arles wool, Royal Alpaca, and Silk
Finishes: Embroideries and handles included*



COMFORT MATTRESS

Medium, firm or extra-firm

*Suspension: 2 layers of Air Spring® mini pocket spring
Materials: Merino d'Arles wool, Royal Alpaca, Silk, and Wool
Finishes: Integral tufting and embroideries*



SUPPORT MATTRESS

Medium, firm or extra-firm

*Suspension: Air Spring® cotton pocket spring and 2 layers of mini pocket-spring
Materials: Merino d'Arles wool, and Wool
Finishes: Integral tufting, hand-tufted strip in fabric of your choice and embroideries*



BED BASE

Soft

*Structure: Spring, Wool and Wood
Finishes: Traditional shell frame, quilted flat strip, choice of decorative fabric*

T

THE SLEEPING SYSTEM

Zénith

Tréca Paris' symbol of excellence and craftsmanship, the Zenith bed has been designed using the noblest, rarest and most precious materials.

With lateral and integrated padding, it takes our experienced master craftsmen three days to produce the mattress by hand. A unique comfort due to its double Air Spring® suspension that ensures an optimal morphological support associated with Talalay and Alpaca Royal wool, selected for its exceptional properties and uniqueness.

It is the ideal sleeping system for individuals looking for a unique, custom-finished product with softer comfort.



T

THE SLEEPING SYSTEM

Hommage

Hommage is a handcrafted bed featuring lateral construction with integrated padding and high-performance fillings made of natural materials. Lateral-construction cushioning reinforces the stability and performance of the mattress and ensures the physical integrity of the fillings over time.

The suspension is comprised of Air Spring® pocket spring and topped with two layers of miniature Air Spring® springs to offer you unparalleled comfort thanks to gradual point-elastic support and adapted to your body shape and size. Made from Baby Lama, a noble and lightweight material, this bed offers superior softness.



T

THE SLEEPING SYSTEM *Montaigne*

Refined precision and ergonomical delight are the hallmarks of the Montaigne bed. Handmade, this bed features integral vertical padding ensuring the materials endure the passage of time and provide long-lasting comfort.

Montaigne is the combination of latex and cashmere, added with Air Spring® pocket springs and three layers of small pocket springs, giving rise to a comfortable downy mattress.

VERSAILLES MATTRESS TOPPER
Height: 3,1 in
Materials: Merino d'Arles wool, wool and camel wool, linen-silk-cashmere, and wool
Finishes: embroideries, handles on request

MONTAIGNE MATTRESS
Tension: medium, firm or extra-firm
Comfort: dynamic
Height: 12,5 in
Suspension: Air Spring® pocket spring and 3 layers of mini pocket-spring
Materials: Latex, Cashmere and wool, linen-silk-cashmere, and french wool
Finishes: Integral tufting, embroideries, handles and aerators

MAJESTIC COMFORT BED BASE
Tension: supple
Height: 8,6 - 10,2 - 11,8 (standard: 8,6 in)
Structure: Spring and Pine wood
Finishes: Traditional shell frame, quilted flat strip, choice of decorative fabric

T

THE SLEEPING SYSTEM *Vendôme*

Vendôme is created with combination of Air Spring® classic pocket spring and two layers of small pocket springs. This suspension adapts to your morphology and brings you unparalleled comfort and satisfaction.

Lightweight and warm, we have selected camel wool for its thermostatic and soothing properties. This bed is the optimal combination of firmness and softness.

VERSAILLES MATTRESS TOPPER
Height: 3,1 in
Materials: Merino d'Arles wool, wool and camel wool, linen-silk-cashmere, and wool
Finishes: embroideries, handles on request

VENDÔME MATTRESS
Tension: medium, firm or extra-firm
Comfort: dynamic
Height: 11,4 in
Suspension: Air Spring® pocket spring and 2 layers of mini pocket-spring
Materials: Wool and camel wool, wool and polyester, linen-silk-cashmere, and french wool
Finishes: Integral tufting, embroideries, handles and aerators

MAJESTIC COMFORT BED BASE
Tension: supple
Height: 8,6 - 10,2 - 11,8 (standard: 8,6 in)
Structure: Spring and Pine wood
Finishes: Traditional shell frame, quilted flat strip, choice of decorative fabric

T

THE SLEEPING SYSTEM

Les Airelles

Since 2013, Tréca Paris worked in close cooperation with Les Airelles hotel group in equipping its prestigious establishments: Courchevel, The Messardière, Gordes and the Château de Versailles at Le Grand Contrôle. From this last collaboration was born the exclusive creation of a luxury bed «Airelles».

The bed features Air Spring® pocketed suspensions that ensure a royal comfort. Tréca takes particular care in the finishing touches, embroidered with a berry branch, emblem of Airelles.



T

THE SLEEPING SYSTEM

Elégance

The comfort of Elegance lies in its downy and indulgent qualities. It provides firm comfort and gradual morphological support thanks to the combination of latex, Air Spring® pocket spring, and a filling made of wool, camel wool and cotton.

Noble, cotton is a selected natural fiber of superior quality. Its breathability and resilience make the material pleasant and fresh, giving the bed a soft feel in summer, combined with wool and camel wool to provide warmth in winter. Wool is a thermal regulator for all climates.



T

THE SLEEPING SYSTEM *Impérial Harmonie*

Tréca Paris offers you an array of bespoke and personalised comfort levels. The Impérial Harmonie bed calls on all our expertise, developed and perfected over the course of our long history.

This bed features generous layers of Talalay latex and a generous amount of wool and cotton. The talalay provides enveloping comfort and a extra softness welcome, excellent for people who sleep on their stomach or side.



T

THE SLEEPING SYSTEM *Hôtel du Cap-Eden-Roc*

This bed reflects Tréca's craftsmanship and stands out thanks to its unique embroidery, the signature of the Cap-Eden-Roc Hotel.

It offers all-season comfort and is lightweight, making it possible to recreate a carefully prepared bed. It provides you with a perfect sleeping experience and ultimate comfort, thanks to the large amount of natural materials: Merino d'Arles wool and French linen. To present a mattress of even greater refinement and virtue, the bed sheets of the Cap-Eden-Roc hotel were upcycled into felt following Tréca eco-responsible's approach.



T

THE SLEEPING SYSTEM

Croisette

The Croisette bed seamlessly blends sophisticated finishes with the luxurious comfort of premium raw materials, transforming every night into a compelling invitation to relaxation. Crafted with meticulous attention to detail, this bed ensures year-round comfort through a unique sleeping surface and an integrated pillow-top

It is the only one to feature a fusion of two historic suspensions: Pullman® and Air Spring®. Thanks to this combination and the generous amount of wool, it offers unique comfort, where firmness and coziness meet.



CROISETTE MATTRESS
 Tension: firm or extra-firm
 Comfort: enveloping
 Height: 12,5 in

*Suspension: Air Spring® pocket-spring and Pullman® spring
 Materials: Merino d'Arles wool, Recycled wool, and Wool
 Finishes: Pillow-top, integral tufting, embroideries, handles and aerators*

ALPHA SPRING BED BASE
 Tension: firm
 Height: 5,1 in

*Structure: Spring and Pine wood
 Finishes: Quilted flat strip, choice of decorative fabric*


T

THE SLEEPING SYSTEM

Corniche

The distinctive touch of excellence is evident in the visually captivating ticking adorned with precisely placed design. An embodiment of Tréca craftsmanship, this intricate decoration demands extraordinary precision from our master craftsmen to ensure its flawless alignment at the heart of the mattress surface.

Corniche promises progressive comfort thanks to its Air Spring® suspension associated with latex and Merino d'Arles wool, selected for its luxurious properties and softness.



CORNICHE MATTRESS TOPPER
 Height: 2,7 in

*Materials: Merino d'Arles wool and French linen
 Finishes: Embroideries, handles included*

CORNICHE MATTRESS
 Tension: medium, firm or extra-firm
 Comfort: gradual
 Height: 10,6 in

*Suspension: Air Spring® pocket spring
 Materials: Latex, Merino d'Arles wool, and Wool
 Finishes: Integral tufting, embroideries, handles and aerators*

ALPHA SPRING BED BASE
 Tension: firm
 Height: 5,1 in

*Structure: Spring and Pine wood
 Finishes: Quilted flat strip, choice of decorative fabric*

T

THE SLEEPING SYSTEM *Impérial Air Spring Héritage*

The Impérial Air Spring® stands as the venerable cornerstone of Tréca Paris mattress legacy, it represents the original signature comfort and earning its status as the most renowned in Tréca's collection. This iconic bed is meticulously designed to cater to individual preferences, offering a personalized touch to your sleep sanctuary.

The Impérial Air Spring® Héritage is the only Tréca mattress that can provide four levels of tensions. It ensures a tailored experience to meet your specific needs : with its ultra-firm support, it can respond to the most specific requests.

VERSAILLES MATTRESS TOPPER

Height: 3,1 in
Materials: Merino d'Arles wool, wool and camel wool, linen-silk-cashmere, and wool
Finishes: embroideries, handles on request

IMPERIAL AIR SPRING HERITAGE MATTRESS

Tension: medium, firm, extra-firm or ultra-firm
Comfort: dynamic
Height: 11,4 in
Suspension: Air Spring® pocket spring
Materials: Latex, Wool, Cotton, Kermel® and viscose
Finishes: Integral tufting, embroideries, handles and aerators

ALPHA SPRING BED BASE

Tension: firm
Height: 5,1 - 5,9 - 6,6 - 8,6 (standard: 6,6 in)
Structure: Spring and Pine wood
Finishes: Traditional shell frame (except for height 5,1), quilted flat strip, choice of decorative fabric

T

THE LEGS

Being a crucial component of our bed designs, Tréca Paris makes available a wide range of leg options. The latter encompass various materials like metal and wood, encompass both classic and contemporary styles, and are offered in an array of colors, all with multiple height choices.

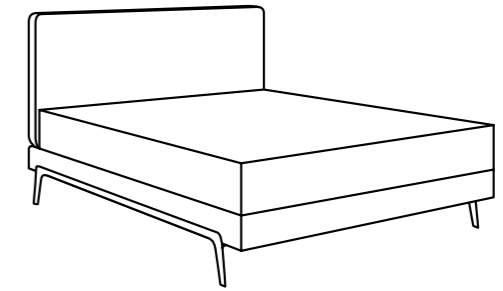
<p>VICTOIRE 5,9 in</p> 	<p>ADONIS 7,9 in</p> 	<p>PRISME 5,9 in</p> 
<p>COLETTE 5,9 in</p> 	<p>BAR CHROME 3,9 in</p> 	<p>LÉNA 5,9 in</p> 
<p>EQUERRE DÉCORATION 3,9 in</p> 	<p>ANGELE 6,6 in</p> 	<p>LOUIS XVI 5,9 in</p> 
<p>BLOCK CHROME 3,1 in</p> 	<p>BRUXELLES 3,9 in</p> 	<p>CUBE 3,9 in</p> 
<p>CYLINDRE 3,9-5,9 in</p> 	<p>EQUERRE 1,5-3,9-5,9 in</p> 	<p>NEW SQUARE 3,9-5,9 in</p> 

T

HEADBOARDS

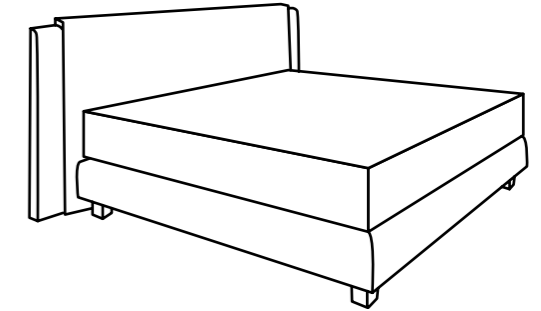
Tréca Paris has an in-house team of imaginative minds constantly explore new horizons in design and craftsmanship. This creative studio serves as a crucible for original concepts and developmental breakthroughs, ensuring that each Tréca creation is infused with the brand's distinctive identity and uncompromising commitment to excellence.

Tréca's creativity extends beyond our internal team. We engage with external designers, drawing from their diverse perspectives and expertise to enrich our offerings. This collective effort ensures that every creation, whether born from our internal team or through collaboration, embodies the epitome of luxury and sophistication in bedding.



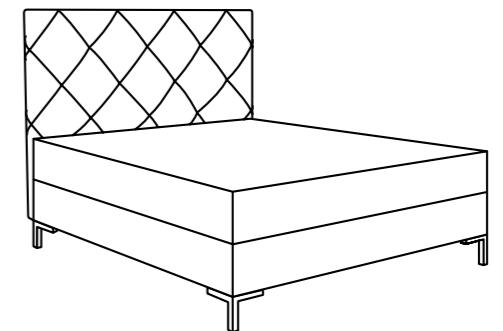
ADONIS

Adonis is a complete bed set. It must be decorated with a specific "Adonis" facing and with Adonis legs
Height: 39,7 in
Thickness: 3,9 in
Bed base width: from 47,2 to 78,7 in



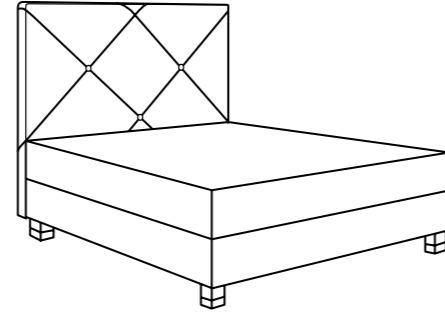
ALEZANE

Height: 44,4 in - Prestige 59 in
Thickness: 4,7 in
Bed base width: from 31,4 to 78,7 in
Headboard overhang: + 15,7 (bed \geq 47,2 in) and +9,4 (bed \leq 39,3 in)

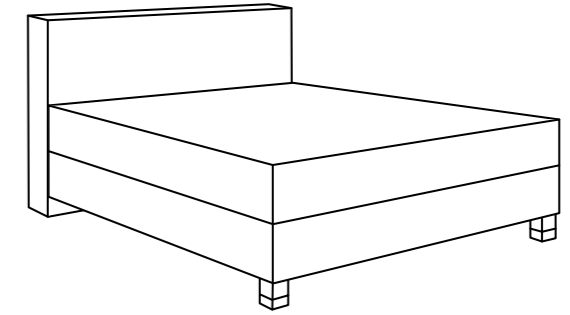


CHLOÉ

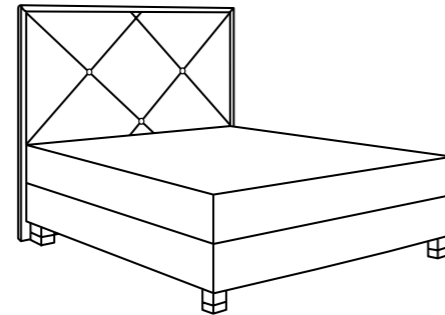
Height: 49,2 or 59 in
Thickness: 3,9 in
Bed base width: from 39,3 to 47,2 in



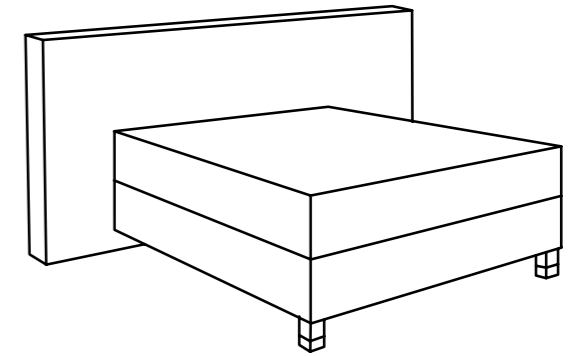
CARAT
 Height: 55,1 or 59 in
 Thickness: 3,9 in
 Bed base width: from 35,4 to 78,7 in



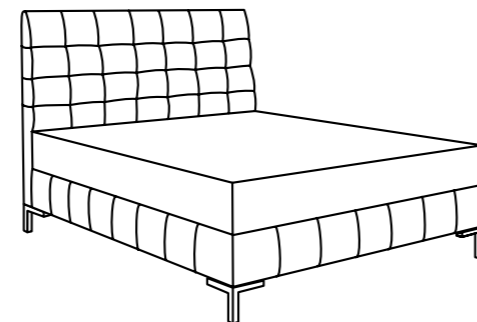
CUBE
 Height: 39,3 or 47,2 in
 Thickness: 7,4 in
 Bed base width: 47,2 or 78,7 in



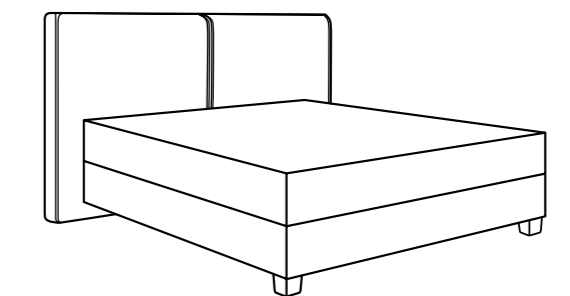
CARAT BRUT
 Height: 64,9 in
 Thickness: 4,7 in
 Wood frame width : 1,2 in
 Bed base width: from 35,4 to 78,7 in
 Headboard overhang: + 2,3 in



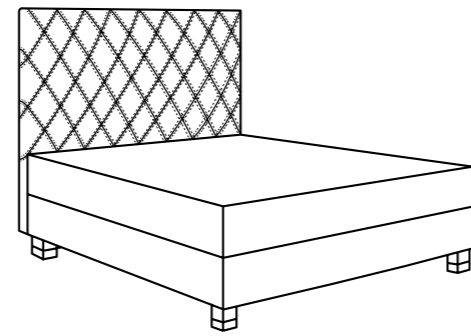
CUBE WIDE
 Height: 39,3 or 47,2 in
 Thickness: 7,4 in
 Bed base width: 47,2 or 78,7 in
 Headboard overhang: +11,8 to +31,4 in according on width



COLETTE
 Height: 39,3 or 47,2 in
 Thickness: 3,5 in
 Bed base width: from 35,4 to 78,7 in

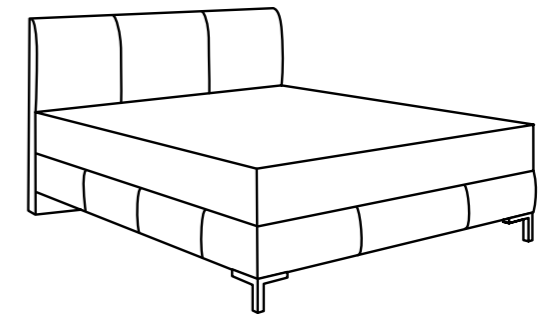


CLUB
 Height: 47,2 in
 Thickness: 7,8 in
 Bed base width: to 55,1 to 78,7 in
 Headboard overhang: +9,4 in



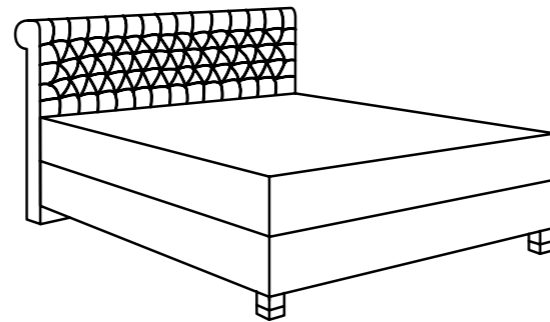
DIAMANT

Height: 55,1 or 59 in
 Thickness: 3,9 in
 Bed base width: from 35,4 to 78,7 in



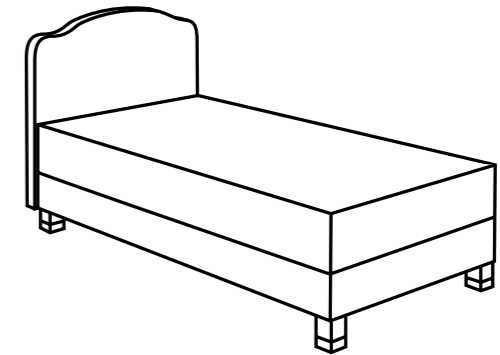
KATE

Height: 39,3 or 47,2 in
 Thickness: 3,9 in at the top, 3,1 in at the bottom
 Bed base width: from 47,2 or 78,7 in



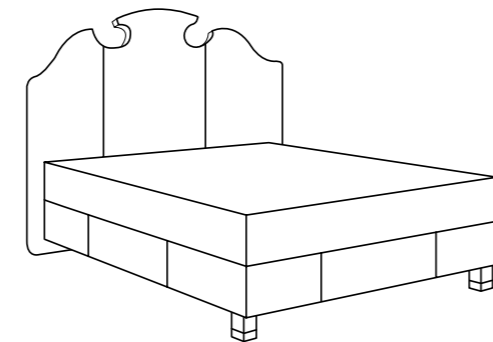
ÉTOILE CAPITONNÉE

Height: 43,3 or 49,2 in - Prestige: 59 in
 Thickness: 7 in at the top, 3,9 in at the bottom
 Bed base width: 27,5 to 78,7 in



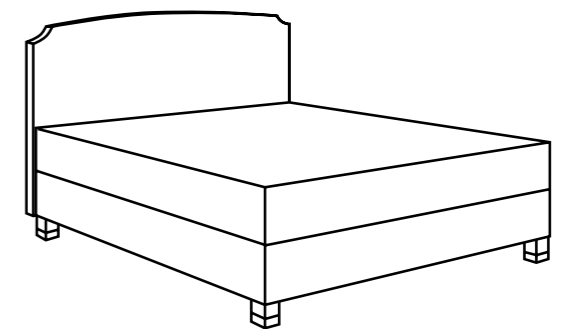
LOUIS XV

Height: 35,4 - 39,3 - 43,3 or 47,2 in
 Thickness: 3,7 in
 Bed base width: from 27,5 to 78,8 in



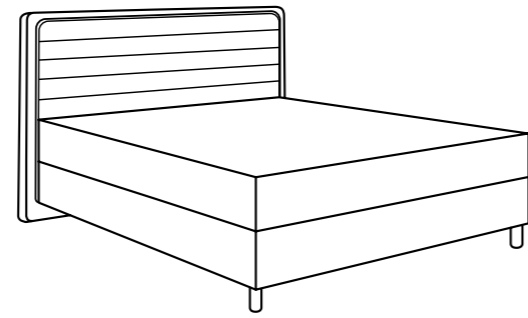
GRESSEY

Gressey is a complete bed set. It can be decorated with specific "Gressey" facings
 Height: 62,9 in
 Thickness: 4,7 in
 Bed base width: from 55,1 to 78,7 in
 Headboard overhang: + 3,9 in



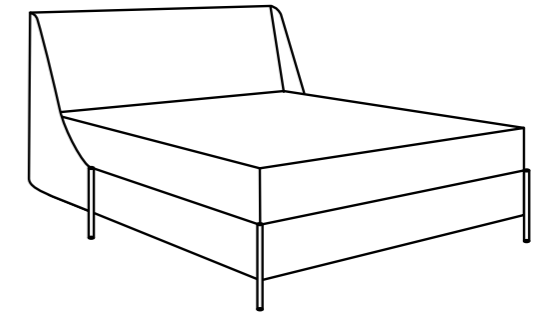
LOUIS XVI

Height: 35,4 - 39,3 - 43,3 or 47,2 in
 Thickness: 3,7 in
 Bed base width: from 27,5 to 78,8 in



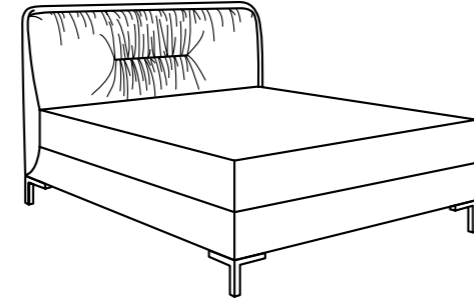
LOUNGE

Height: 49,2 or 57 in
 Frame thickness: 1,9 in
 Cushion thickness: 2,7 in
 Bed base width: from 35,4 to 78,7 in
 Headboard overhang: + 3,1 in



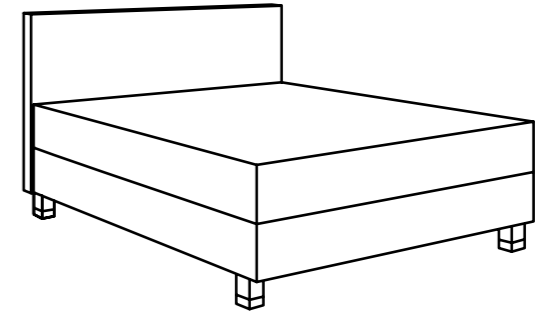
MARGOT

Margot is a complete bed set. It must be ordered with specific bed leg Prisme only
 Height: 39,3 in
 Thickness: 15,7 in at the base and 5,1 in at the cushion area
 Bed base width: from 47,2 to 78,8 in
 Headboard overhang: + 3,1 in



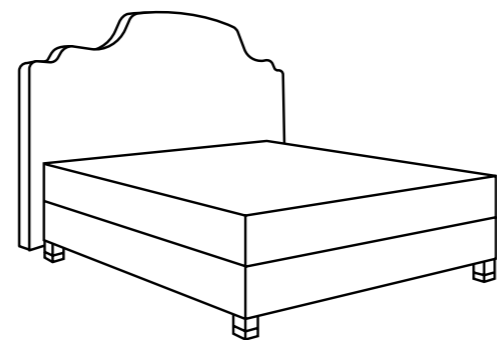
MADELEINE

Madeleine is a complete bed set. It can be decorated with specific "Madeleine" facings
 Height: 39,7 in
 Thickness: 6,2 in
 Bed base width: from 47,2 to 78,7 in



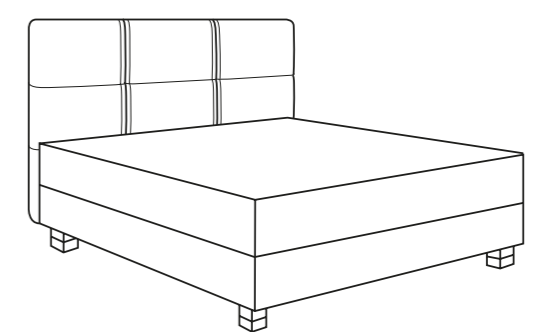
MODERNE

Height: 27,9 or 35,8 in - 39,7 or 47,6 in
 Thickness: 3,7 in (standard) or 2,9 in
 Bed base width: from 27,5 to 78,7 in - from 55,1 to 78,7 in



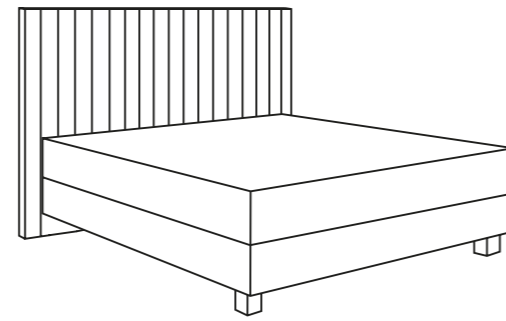
MARCILLY PRESTIGE

Height: 59 in
 Thickness: 3,9 in
 Bed base width: from 31,4 to 78,7 in
 Headboard overhang: + 1,9 in



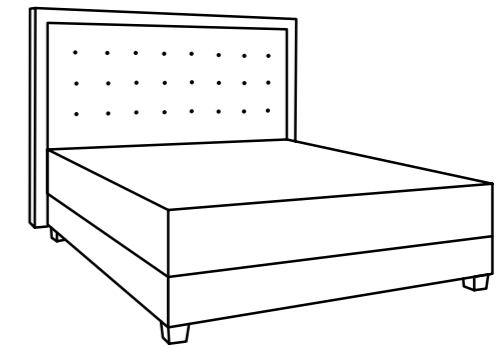
MOON

Height: 43,7 in
 Thickness: 6,2 in
 Bed base width: from 55,1 to 78,7 in
 Headboard overhang: + 2,3 in



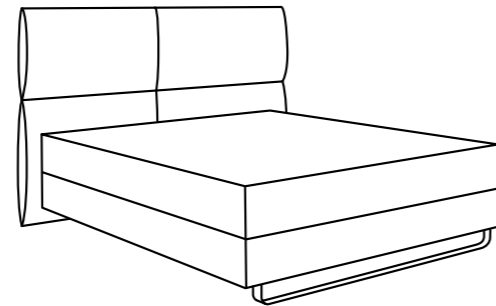
POÉSIE PRESTIGE

Height: 47,6 or 55,5 in
 Thickness: 3,1 in
 Bed base width: from 55,1 to 78,7 in
 Headboard overhang: + 7,8 in



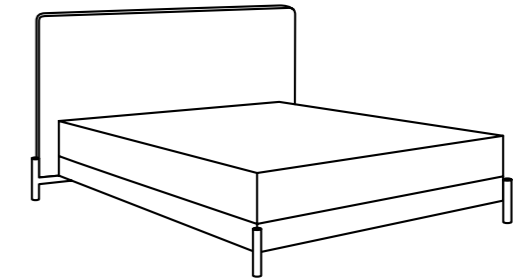
TOURNELLE

Height: 55,1 or 59 in
 Thickness: 2,7 in
 Bed base width: from 55,1 to 78,7 in
 Headboard overhang: + 5,5 in



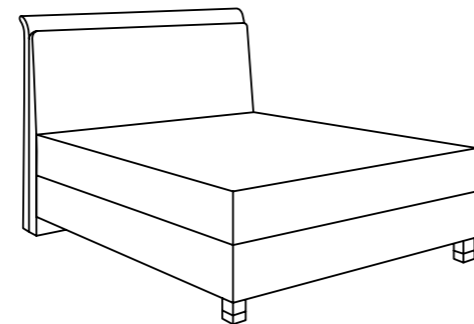
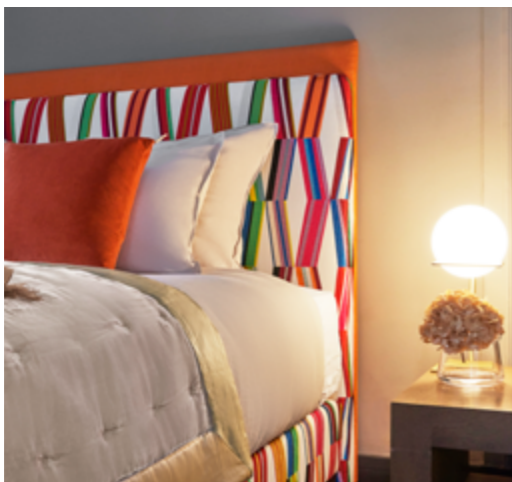
PORTOFINO

Height: 49,2 in
 Thickness: 3,5 in
 Bed base width: from 47,2 to 78,7 in
 Headboard overhang: + 7,8 in



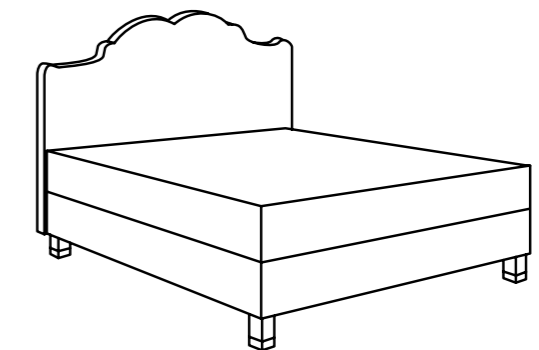
VICTOIRE

Victoire is a complete bed set. It must be ordered with specific bed leg Victoire only
 Height: 39,3 in - Prestige 59 in
 Thickness: 3,9 in
 Bed base width: from 47,2 to 78,7 in
 Headboard overhang: + 10,6 in



SAINT GERMAIN

Height: 47,2 or 55,1 in
 Frame thickness: 0,8 in
 Cushion thickness: 3,5 in
 Bed base width: from 43,3 to 78,7 in



VERSAILLES

Height: 39,3 or 47,2 in - Prestige: 62,9 in
 Thickness: 3,7 in
 Bed base width: from 27,5 to 78,7 in - Prestige: 55,1 from 78,7 in
 Headboard overhang: + 7,8 in



T

COMPATIBILITIES

FABRIC TYPE

ARSENE	CHEYENNE	FINE	GORDES	MARION	OPIO	PORTOFINO	SHERLOCK	TILDA	TUPI	TUNIS	LEATHER NATUREL	LEATHER SELECT
--------	----------	------	--------	--------	------	-----------	----------	-------	------	-------	--------------------	-------------------

HEADBOARDS

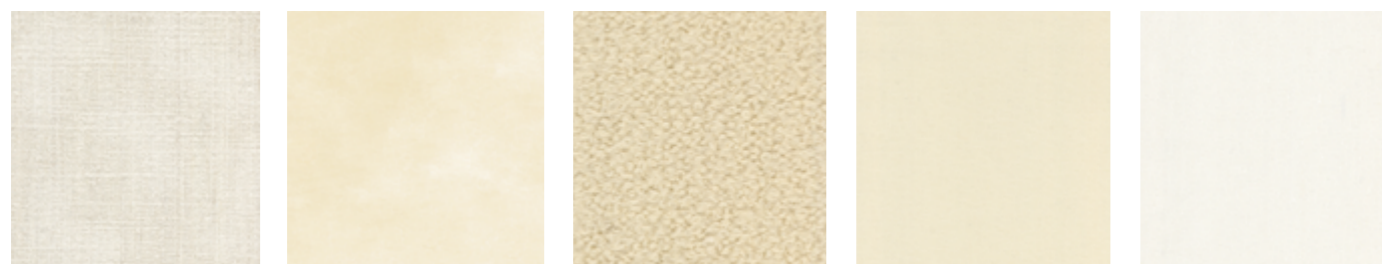
	ARSENE	CHEYENNE	FINE	GORDES	MARION	OPIO	PORTOFINO	SHERLOCK	TILDA	TUPI	TUNIS	LEATHER NATUREL	LEATHER SELECT
ADONIS	●	●	●	●	●	×	●	●	×	●	×	●	●
ALEZANE	●	●	●	●	●	●	●	×	●	●	●	●	●
CARAT	●	●	●	●	●	●	●	●	●	●	●	●	●
CARAT BRUT	●	×	●	●	●	●	●	●	●	●	●	●	●
CHLOE	●	×	×	●	×	×	●	×	×	●	×	×	×
CLUB	●	●	●	●	●	×	●	●	●	●	●	●	●
COLETTE	●	●	●	●	×	×	●	×	×	●	●	●	●
CUBE & CUBE WIDE	●	●	●	●	●	●	●	●	●	●	●	●	●
DIAMANT	×	×	●	●	×	×	●	×	×	●	×	●	●
ETOILE CAPITONNEE	●	●	×	●	×	×	●	●	●	●	●	●	●
GRESSEY	●	●	●	●	●	●	●	×	●	●	×	×	×
KATE	×	●	●	●	×	×	●	●	●	●	●	●	●
LOUIS XV	●	●	●	●	●	●	●	●	●	●	●	●	●
LOUIS XVI	●	●	●	●	●	●	●	●	●	●	●	●	●
LOUNGE	●	×	●	●	●	●	●	●	●	●	●	●	●
MADELEINE	●	×	●	●	×	×	●	●	×	●	×	×	×
MARCILLY	●	●	×	●	●	×	●	●	●	●	●	×	×
MARGOT	●	●	●	●	×	●	●	×	●	●	×	●	●
MODERNE	●	●	●	●	●	●	●	●	●	●	●	●	●
MOON	●	●	×	●	×	●	●	×	×	●	●	×	×
POESIE PRESTIGE	●	●	●	●	×	×	●	●	●	●	●	●	●
PORTOFINO	●	●	●	●	●	●	●	●	●	●	●	●	●
SAINT GERMAIN	●	×	●	●	●	×	●	●	●	●	●	●	●
TOURNELLE	●	●	●	●	●	×	●	●	×	●	●	●	●
VERSAILLES	●	●	×	●	●	×	●	●	●	●	●	×	×
VICTOIRE	●	●	●	●	●	●	●	●	●	●	●	●	●

TRÉCA X PIERRE FREY

Scan the QR Code
and discover
more details on
our fabric bundle



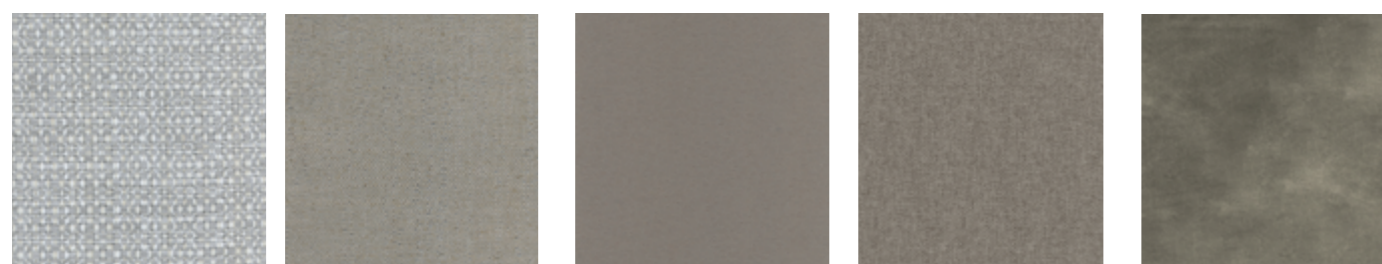
I - COOL TONES



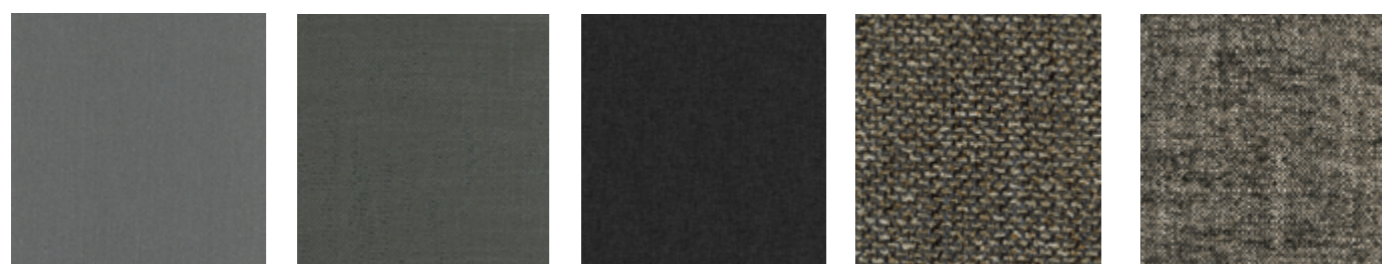
ARSENE COTON F3371001 Cat E
FINE NUAGE F3210001 Cat B
OPIO NATUREL I6616001 Cat I
TIPI CHANTILLY F3221001 Cat D
GORDES BLANC F3443001 Cat D



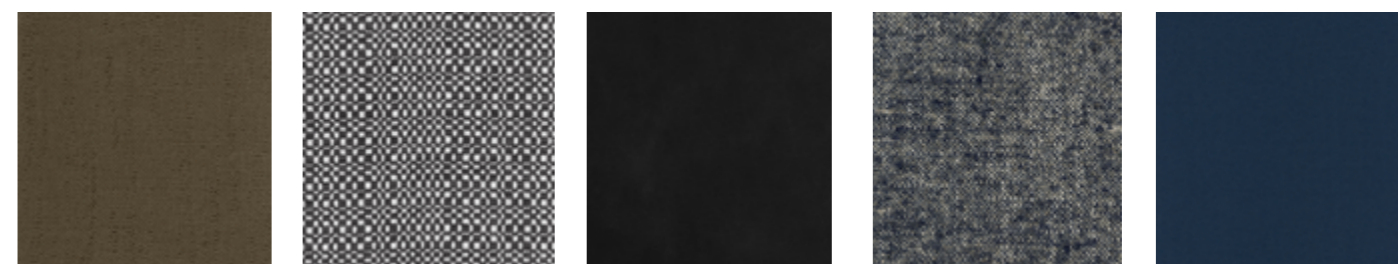
CHEYENNE CRAIE F3222001 Cat C
SHERLOCK FICELLE O7939006 Cat A
CHEYENNE SOURIS F3222008 Cat C
PORTOFINO LIN F2880003 Cat B
ARSENE PERLE F3371008 Cat E



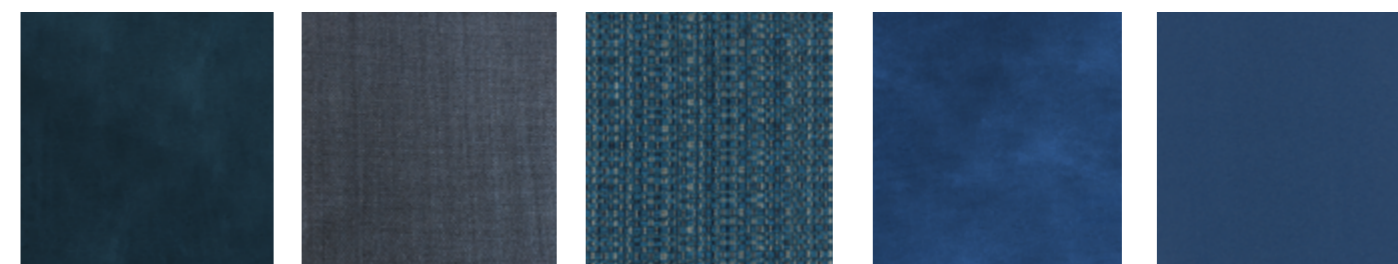
TUNIS ICE N9012161025 Cat C
PORTOFINO SOURIS F2880012 Cat B
TIPI PLUME F3221004 Cat D
SHERLOCK SEL O7939004
FINE FOG F3210004 Cat B



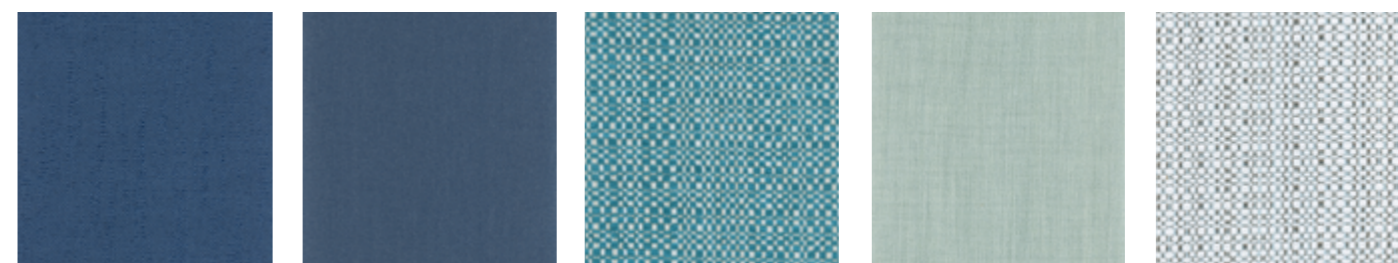
GORDES FUMEE F3443007 Cat D
PORTOFINO ELEPHANT F2880011 Cat B
SHERLOCK TABLEAU O7939023 Cat A
TILDA GRAPHITE I6601009 Cat E
ARSENE CACHOU F3371010 Cat E



PORTOFINO CHOCOLAT F2880010 Cat B
TUNIS CHOCOLATE N9012161021 Cat C
FINE BLACK F3210006 Cat B
ARSENE MARINE F3371020 Cat E
TIPI NAVY F3221025 Cat D



FINE MEDITERRANEE F3210018 Cat B
CHEYENNE INDIGO F3222031 Cat C
TUNIS TEAL N9012161016 Cat C
FINE DEEP SKY F3210019 Cat B
TIPI CYCLADES F3221024 Cat D



PORTOFINO INDIGO F2880032 Cat B
GORDES DELPHINIUM F3443022 Cat D
TUNIS TURQUOISE N9012161005 Cat C
CHEYENNE OPALINE F3222027 Cat C
TUNIS CRYSTAL N901216111 Cat C



TILDA OPALINE I6601004 Cat E
FINE CELADON F3210016 Cat B
GORDES HERBIER F3443028 Cat D
TILDA EMERAUDE I6601006 Cat E
FINE KIWI F3210015 Cat B



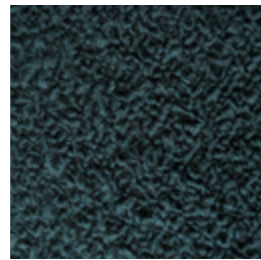
TIPI FOUGERE F3221018 Cat D
CHEYENNE AMANDE F3222022 Cat C
ARSENE CACTUS F3371025 Cat E
TIPI OLIVE F3221015 Cat D
FINE LIME GREEN F3210011 Cat B



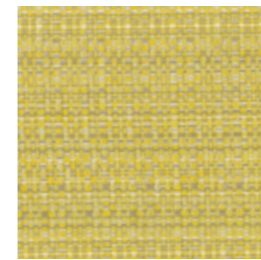
TUNIS PISTACHIO
N9012161006
Cat C



FINE SAPIN
F3210013
Cat B



OPIO PRUSSIANA
I6616010
Cat I



TUNIS LEMONADE
N9012161039
Cat C



SHERLOCK MANGUE
O7939010
Cat A



GORGES COGNAC
F3443012
Cat D



SHERLOCK COURGE
O7939011
Cat A



PORTOFINO ORANGE
F2880024
Cat B

II - WARM TONES



MARION CORDE
F3496002
Cat E



GORGES CREME
F3443004
Cat D



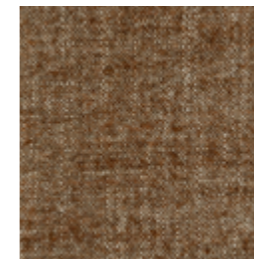
TUNIS OTMEAL
N9012161027
Cat C



ARSENE QUINOA
F3371005
Cat E



TIPI TERRACOTTA
F3221031
Cat D



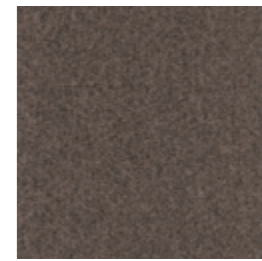
ARSENE TABAC
F3371011
Cat E



FINE WOOD
F3210007
Cat B



TIPI TAUPE
F3221006
Cat D



SHERLOCK ALPAGA
O7939019
Cat A



PORTOFINO RAFIA
F2880004
Cat B



SHERLOCK JUTE
O7939007
Cat A



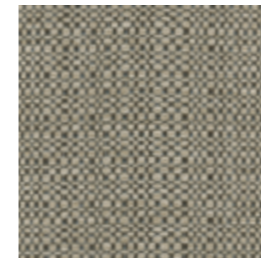
CHEYENNE NATUREL
F32220051
Cat C



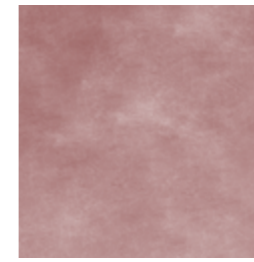
PORTOFINO FICELLE
F2880005
Cat B



TIPI SABLE
F3221003
Cat D



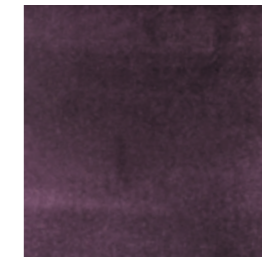
TUNIS MOCACHINO
N9012161029
Cat C



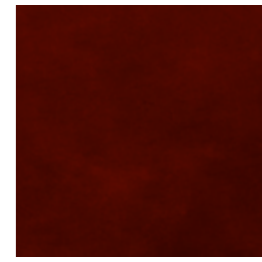
FINE SKETCH
F3210025
Cat B



SHERLOCK GRIOTTE
O7939013
Cat A



FINE GOD SAVE THE QUEEN
F3210021
Cat B



FINE WINE
F3210031
Cat B



GORGES LIN
F3443006
Cat D



CHEYENNE CAFE
F3222006
Cat C



FINE DUNE
F3210003
Cat B



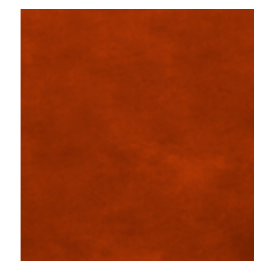
OPIO ORZO
I6616003
Cat I



TUNIS CAMEL
N9012161034
Cat C



TIPI COQUELICOT
F3221034
Cat D



FINE FIRE
F3210030
Cat B



PORTOFINO CORAIL
F2880023
Cat B



CHEYENNE CORAIL
F3222014
Cat C



GORGES ROUSILLON
F3443017
Cat D



TILDA GOLD
I6601002
Cat E



ARSENE POUSSIN
F3371028
Cat E



FINE SAFRAN
F3210010
Cat B



PORTOFINO CITRON
F2880026
Cat B



CHEYENNE MIMOSA
F3222011
Cat C

LEATHER

Scan the QR Code
and discover
more details on
our leather bundle



I - COOL TONES



LEATHER

II - WARM TONES



T

OUR SERVICES

Our unwavering commitment to excellence is embodied in our bespoke services, elevating the shopping experience to new heights and redefining industry standards.

To provide a seamless and personalized delivery experience, we offer a high end, white glove, delivery service. Our teams, highly trained in the delicate handling of luxury goods, ensure the meticulous installation of your Tréca bed in the room of your choice, executing every step with the utmost care.

For added convenience, we provide a comprehensive video guide, offering step-by-step support throughout the installation process. This ensures the flawless preservation of each item's quality and attention to detail at every stage.

As part of our commitment to sustainability, we retrieve your old bedding and reintroduce it into our eco-conscious recycling process. We also take care of folding and organizing all packaging materials, leaving your space clean and orderly.

We are devoted to delivering a fully personalized service that guarantees complete satisfaction, including alterations upon request.



TRECA

PARIS

WORKSHOPS

7, rue René Moritz – 67110 Reichshoffen – FRANCE
8, rue Jean Mermoz – 41500 Mer – FRANCE

SHOWROOM

344 Bowery, New York, NY 10012, UNITED STATES OF AMERICA

CONTACT

customersupport-usa@treca-paris.com

www.treca.com

09/2024 - Creation : ADOVA Group

Photos : iStockphoto - Getty images - Shutterstock - Adobe Stock - Denys Vinson - Marine Billet - Matthieu Salvaing - Unsplash - Non-contractual photo